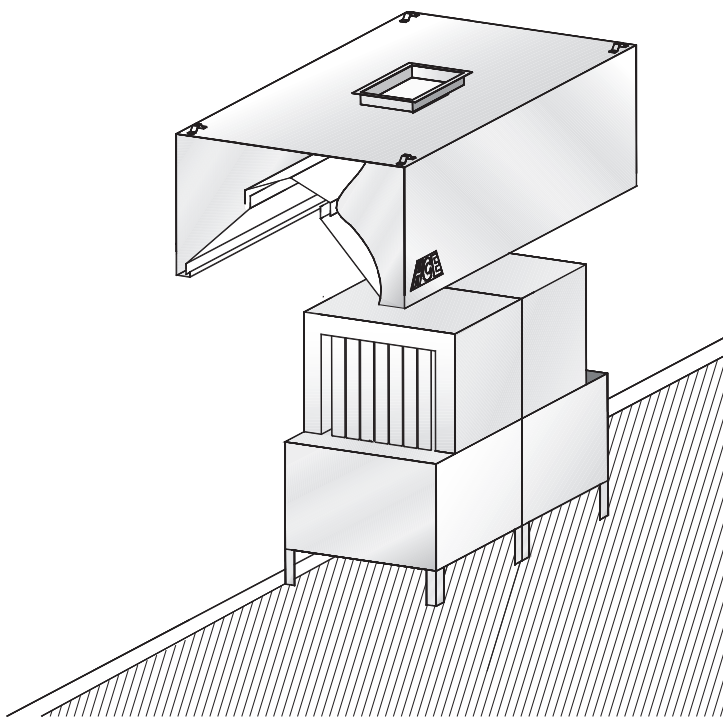


Model **HAI-V**

**Vapor Hood**

**D**



**Description :**

HCE wall-type or central vapor exhaust hood without filters. Model HAI-V.

**Specifications :**

- Constructed of sturdy 18-gauge (1.2 mm) stainless steel
- Up to 16' 0" (4,877 mm) in length
- Easy installation
- Many options available (see reverse)
- Quick delivery

**Construction :**

Exposed hood surface: type 430 stainless steel (304 or 316 optional) with #4 finish (brushed). Non-exposed hood surface: stainless steel with #2B finish. Minimum 18-gauge (1.2 mm) thickness. All visible welded joints are polished to match original finish. To meet NFPA- 96 requirements.

**Installation :**

Suspension (recommended height)

The hood should be installed 6' 6" (1,981 mm) from the floor. Hanging brackets are welded at all four corners.

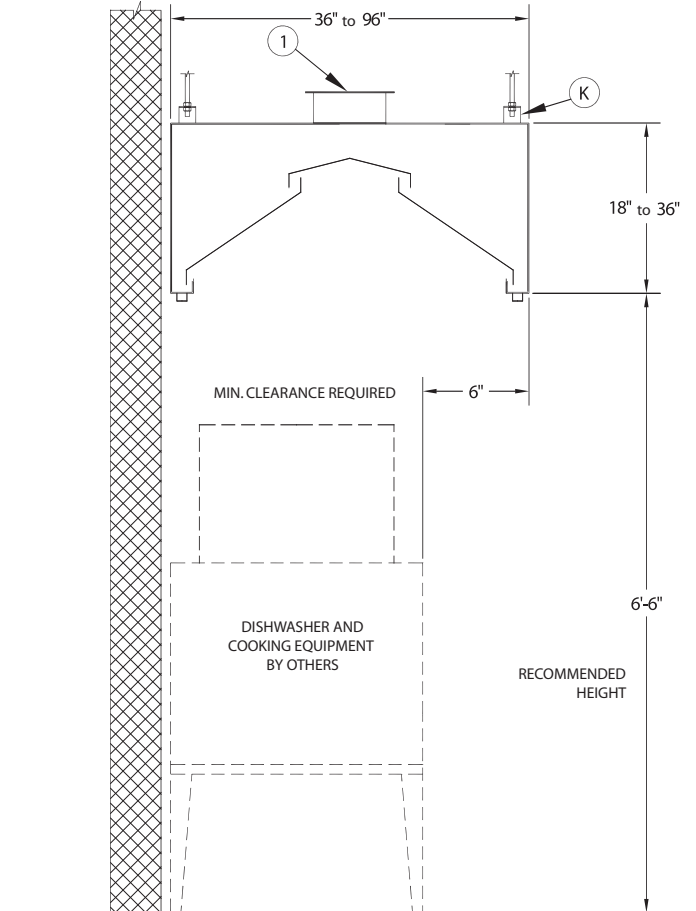
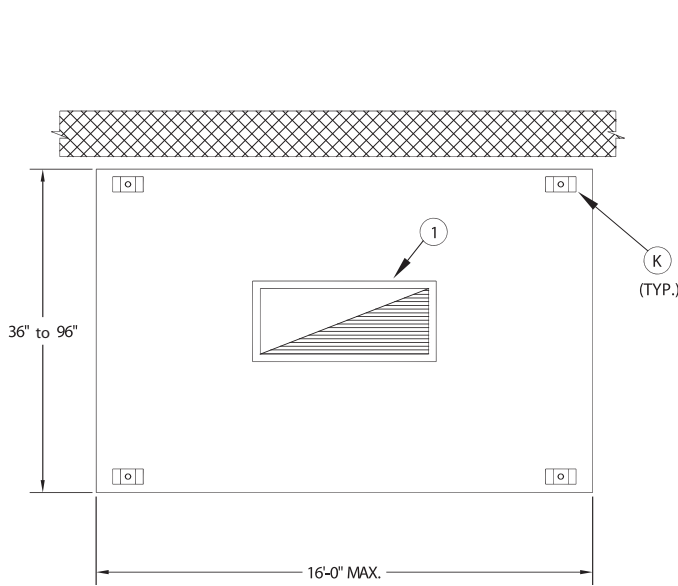
**Enclosure panels (optional) :**

The space between the top of the hood and the ceiling may be closed with stainless steel panels in the same finish as the hood.

**Suggested model**

- Vapor hood

## D Vapor hood



### Optional accessories: (see section "K" for details)

<b>1</b>	Exhaust collar (3" high)
<b>A</b>	cULus-listed exhaust collar with fire damper
<b>B</b>	cULus-listed exhaust collar with balancing damper
<b>H</b>	Enclosure panels, stainless steel with #4 finish, between hood and ceiling
<b>I</b>	PAC-02 programmable control panel
<b>J</b>	End skirts should be used to maximize hood performance